

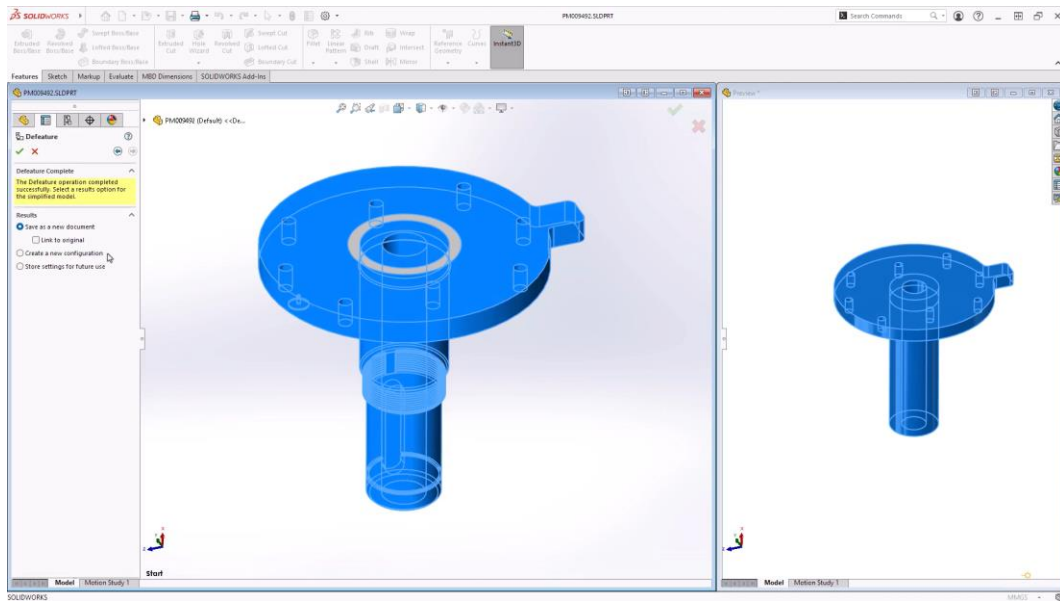
BEACON Newsletter - December 2024**What's New in SOLIDWORKS 2025**

SOLIDWORKS 2025 is loaded with enhancements to all the solutions you need to develop products. Explore the best of the best with our easy-to-digest lists covering the top enhancements in SOLIDWORKS 2025, including:

- >> Design, collaboration, and data management in SOLIDWORKS 3D CAD and 3DEXPERIENCE SOLIDWORKS
- >> Browser-based design tools
- >> SOLIDWORKS PDM
- >> SOLIDWORKS Simulation
- >> ECAD, including SOLIDWORKS Electrical and Electrical Schematics Designer
- >> DraftSight 2D CAD

Accelerate product development with designer-driven enhancements to the industry-standard in collaborative 3D design. SOLIDWORKS 2025 streamlines and accelerates your product development process from concept to manufacturing. Explore the latest user-driven enhancements and learn how these new capabilities enable hassle-free design through improvements in 3D design, PDM, simulation, and more.

➤ What's New in SOLIDWORKS CAD and Collaboration



Accelerate Design Innovation

SOLIDWORKS CAD solutions are the trusted, industry-standard for professional modeling capabilities, production-ready manufacturing documentation, and real-time cloud collaboration tools. Watch the video to learn about SOLIDWORKS 2025 enhancements.

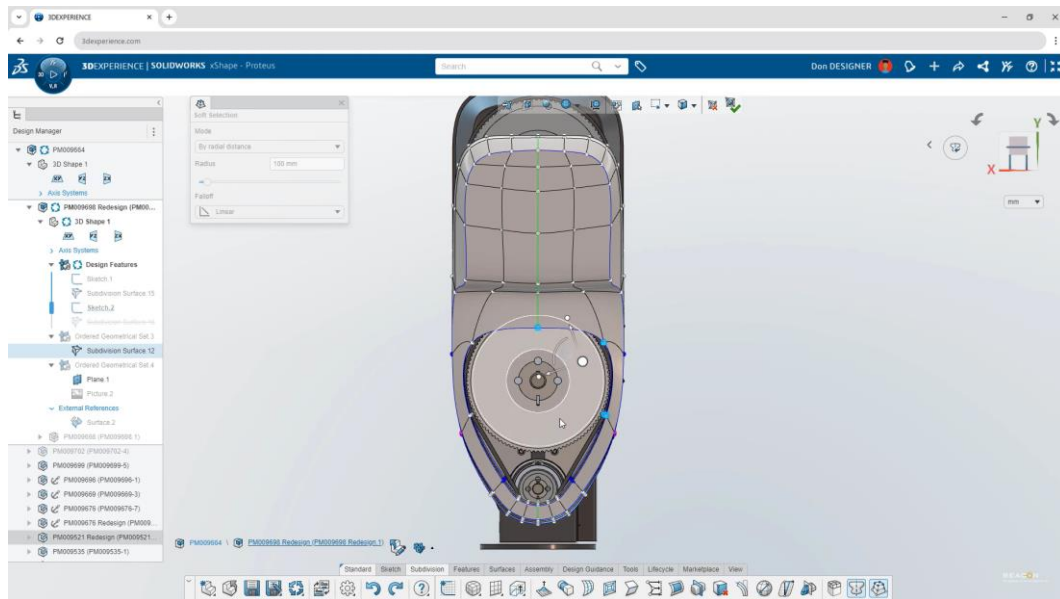
Highlights include:

- Boost efficiency with the ability to rapidly select edges for the Chamfer command with selection accelerators and copy assembly components along with their associated advanced and mechanical mates
- Enforce company rules with multi-approval stamps on drawings anytime, on any connected device
- Connect and collaborate with peers directly from inside of your SOLIDWORKS interface

SOLIDWORKS CAD and Collaboration Top 10 Enhancements:

- More Effective Collaboration and Data Management
- Greater Part Modeling Flexibility
- Boosted Performance
- Faster Assembly Modeling
- Improved Detailing of Drawings
- More Flexible 3D Dimensioning and Tolerancing
- Improved Harness Board Drawings
- Streamlined ECAD/MCAD Collaboration and Design
- Improved Output With Immersive Rendering
- User Experience Delighters

➤ What's New in Browser-Based Product Development



Design Anywhere

Reimagine design, collaboration & documentation with the enhanced suite of cloud-based tools from SOLIDWORKS. Accelerate your product development process with revamped user experiences & powerful new enhancements covering part & assembly design, freeform modeling, drawings & model-based definition, motion simulation & 2D drafting experiences. Watch the video to learn about SOLIDWORKS 2025 browser-based enhancements.

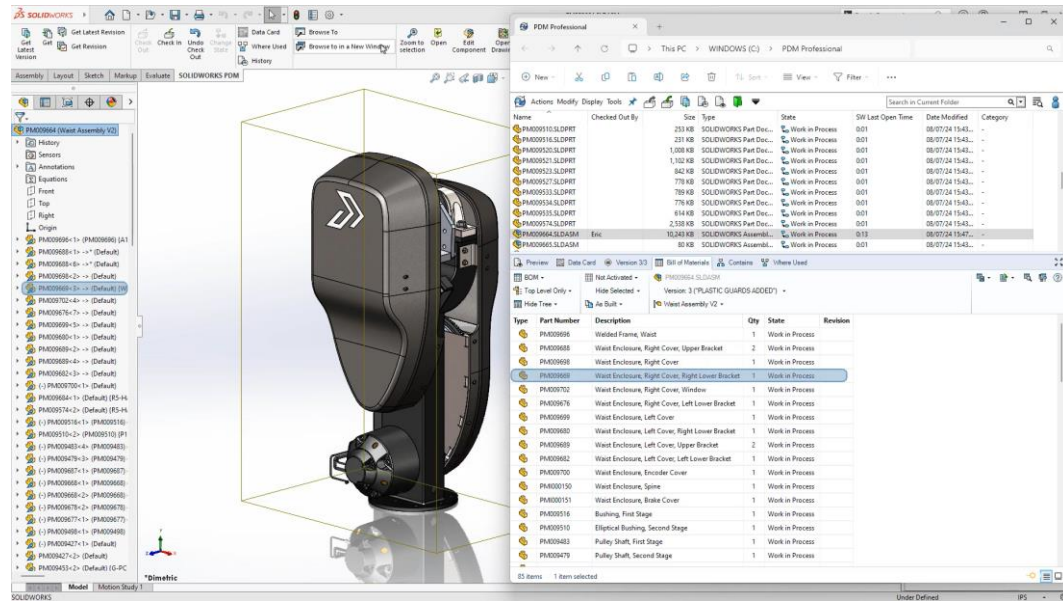
Highlights include:

- Define manufacturing requirements with familiar 2D drawing workflows for creating sheets, views, dimensions, tolerances, & more
- Quickly design a freeform shape around existing geometry with new functionality to align the subdivision to external geometry
- Directly add views, dimensions & tolerances within the drawing environment, compared to only having the ability to add them to the 3D model

Browser-Based Product Development Top 10 Enhancements:

- Versatile Definition Workflows
- Efficient Assembly Management
- Design Lighter and Stronger Parts
- Design for a Sustainable Future
- Create Complex Freeform Geometry with Merge
- Easily Identify Lock Status
- Create Professional Drawings with Projection Views
- Create User-Defined Subdivision Primitives
- Define Mechanical Systems with Advanced Mates
- Optimize Design Session Performance

➤ What's New in SOLIDWORKS PDM



Increase Data Efficiency

Enhancements to SOLIDWORKS PDM streamline accessibility, help you better understand assembly structures, and improve revision management. Watch the video to learn about SOLIDWORKS 2025 PDM enhancements.

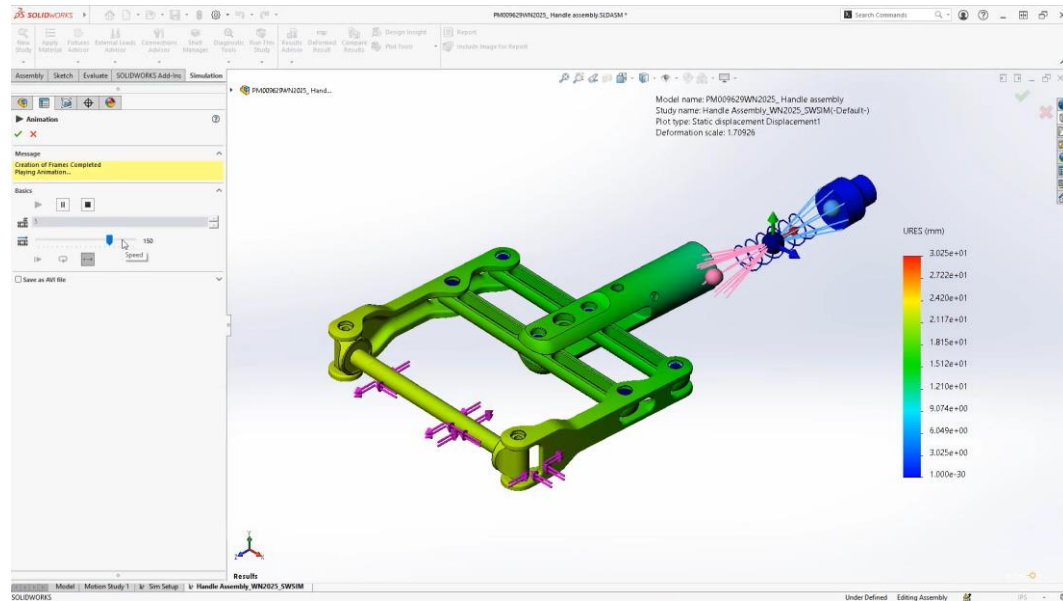
Highlights include:

- Quickly access SOLIDWORKS PDM functions from the new PDM tab in the Command Manager toolbar
- Easily understand the order of assembly structures with a bill of materials that follows the same order as the SOLIDWORKS FeatureManager
- Discover new options for caching revisions and get the latest revision or a specified revision

SOLIDWORKS PDM Top 5 Enhancements:

- Improved Bill of Materials Visualization
- Increased Flexibility for Caching Data
- Better User Experience
- Increased User Tracking
- Improved Web 2.0 Performance

➤ What's New in SOLIDWORKS Simulation



Ensure Performance and Accuracy

Enhancements to SOLIDWORKS Simulation enable you to simplify analysis without compromising accuracy. Watch the video to learn about SOLIDWORKS 2025 Simulation enhancements.

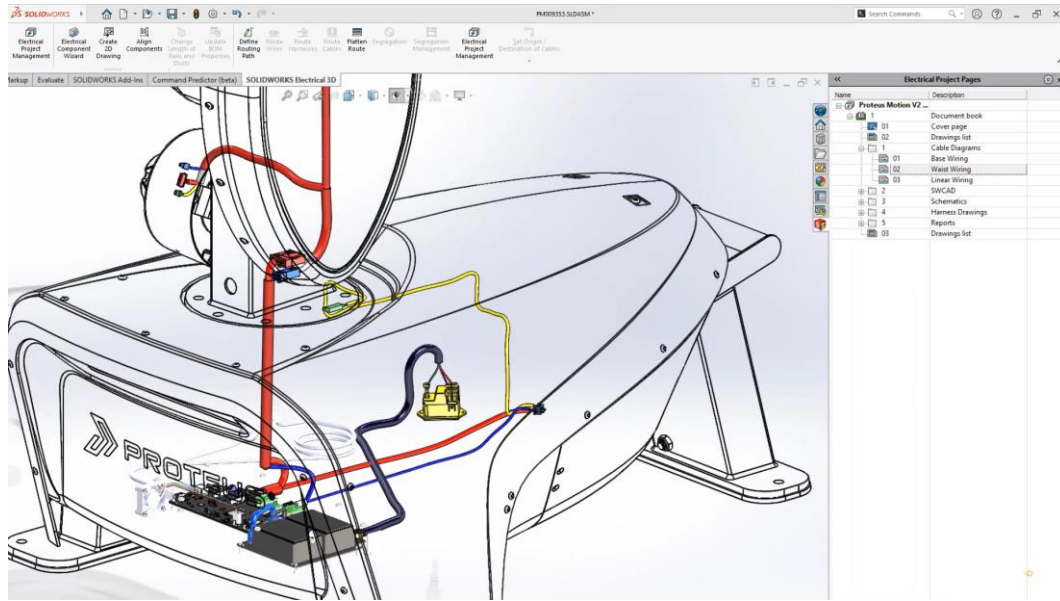
Highlights include:

- Easily create custom spring connectors between surfaces by defining axial only, isotropic, or orthotropic springs
- Improve the solution performance for all studies when using the distributed load option for pin connectors
- Quickly troubleshoot simulation studies with unstable components

SOLIDWORKS Simulation Top 10 Enhancements:

- General Spring Connector
- Enhanced Pin Connector
- Enhanced Handling of Large Models
- Enhanced Node-to-Surface Bonded Interactions With Offset
- Enhanced Surface-to-Surface Bonded Interactions
- Mesh Performance Improvements
- Isolate Cause of Plastic Parts Warpage
- Enhanced Sink Mark Prediction
- Flow Simulation GUI Improvements
- Flow Simulation Performance Improvements

➤ What's New in SOLIDWORKS Electrical Solutions



Streamline Electrical Design

Enhancements to SOLIDWORKS electrical solutions speed up electrical design with new capabilities to generate 3D electrical harness routing, import electrical content, and create designs using enhanced drawing functionality. Watch the video to learn about SOLIDWORKS 2025 Electrical enhancements.

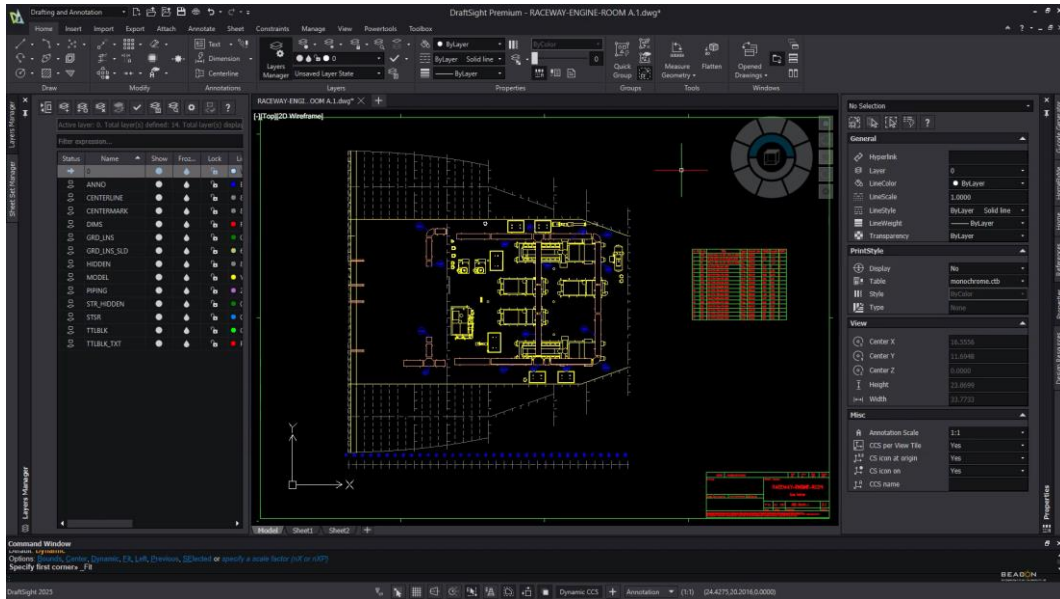
Highlights include:

- Create the product structure from your electrical project and combine it with the mechanical product structure from SOLIDWORKS on the 3DEXPERIENCE® platform
- Improve schematic design capability utilizing a new distributed terminal functionality, and enhance terminal strip drawings that include connected component symbols
- Enhance project 3D drawing layouts with dynamic drawings and new schematic annotation capabilities

SOLIDWORKS Electrical Solutions Top 10 Enhancements:

- Save the Product Structure of Electrical Projects to 3DEXPERIENCE® (Electrical Schematic Designer)
- Add Distributed Terminal Functionality
- New Tool to Import New Electrical Content
- Prevent Loops When Routing Harnesses With Splices (SOLIDWORKS Electrical 3D)
- Enhanced 3D Drawing Layout Capabilities
- Create Terminal Strip Drawings With Connections Using Wires and Cables
- Create Improved Harness Board Drawings From 3D Routes (SOLIDWORKS Electrical 3D)
- Copper Trace Support for ECAD/MCAD in SOLIDWORKS
- ECAD-MCAD Support on the 3DEXPERIENCE Platform
- ECAD-MCAD Collaboration Now Available in All SOLIDWORKS Offerings

➤ **What's New in DraftSight**



Simplify Drafting Workflows

DraftSight is professional-grade 2D CAD design software from the makers of SOLIDWORKS. The latest enhancements in DraftSight 2025 are designed with efficiency in mind, promising to save time and increase productivity. Watch the video to learn about DraftSight 2025 enhancements.

Highlights include:

- Transfer complex 3D models and assemblies with precision with the ability to import STEP files
- Maintain compatibility across CAD platforms and preserve complex design data integrity during transfers with DGN Export
- Create even more versatility for custom blocks with the new ability to insert multiple visibility elements

DraftSight Top 10 Enhancements:

- Import STEP Files *
- Table Enhancements *
- Export DWG to DGN Files *
- Dynamic Blocks Ready-to-Use Library
- BOM Setting
- DWG 2021 Support
- DWG UNITS Command
- CATIA® Drawings Import
- Stability and Performance
- MacOS Sonoma Upgrade

To know more details, please reach out to us at:

Phone: +91 7406663589

Email ID: info@beacon-india.com

Website: <http://beacon-india.com>

Request a Quote Now: <https://www.beacon-india.com/request-a-quote>

Request a Demo Now: <https://www.beacon-india.com/request-a-demo>