

BEACON Newsletter - October 2024

Overview of SOLIDWORKS Composer

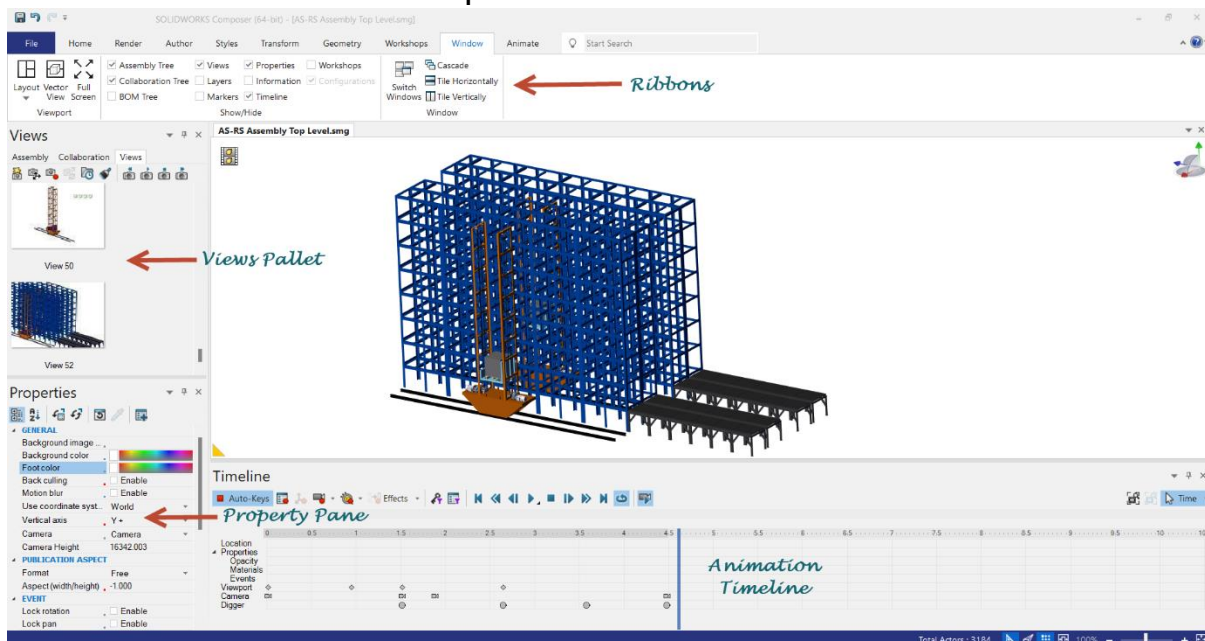
SOLIDWORKS Composer:

SOLIDWORKS Composer allows you to quickly create 2D and 3D graphical content to clearly explain and present your product or process. The tools let you work directly from 3D CAD data to create high-quality illustrations, photorealistic images, and interactive animations, and to import design data.

Why choose SOLIDWORKS Composer:

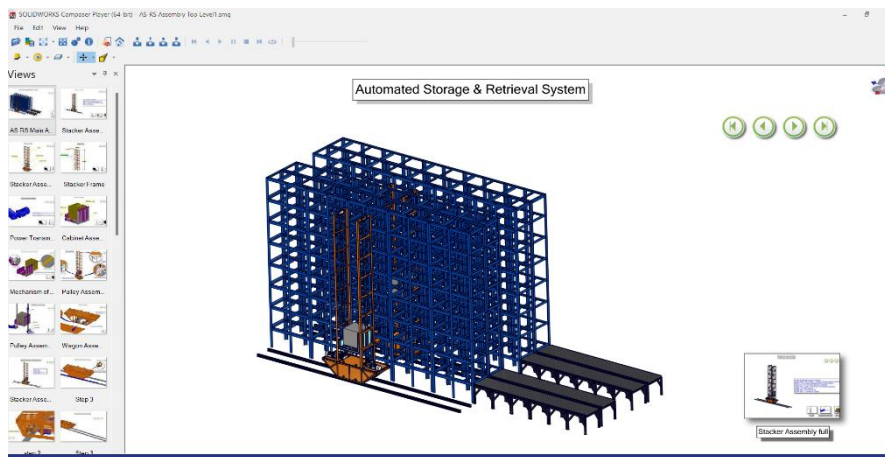
Repurpose your 3D engineering models for creating graphical content to explain processes and procedures in technical communications, such as manufacturing assembly instructions, product manuals, installation instructions, service manuals, training guides, marketing brochures, and sales bidding kits

Composer Software Interface



SOLIDWORKS Composer Player Professional:

Interact with 3D content using SOLIDWORKS Composer Player Professional. It includes all the features of the SOLIDWORKS Composer Player but also enables you to interrogate a model, adjust the viewing angle, and rotate/pan/zoom in real time. You can also use custom APIs to customize the Player.

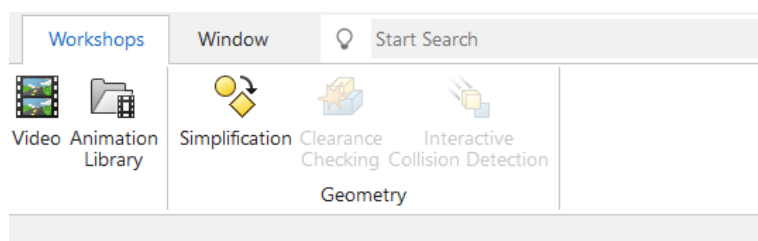


SOLIDWORKS Composer Sync:

SOLIDWORKS Composer Sync creates a batch conversion process from 3D CAD and other 3D formats into SOLIDWORKS Composer format. Changes in product data or manufacturing information can be automatically updated to SOLIDWORKS Composer deliverables. You can save batch job settings to XML for future use

SOLIDWORKS Composer Check:

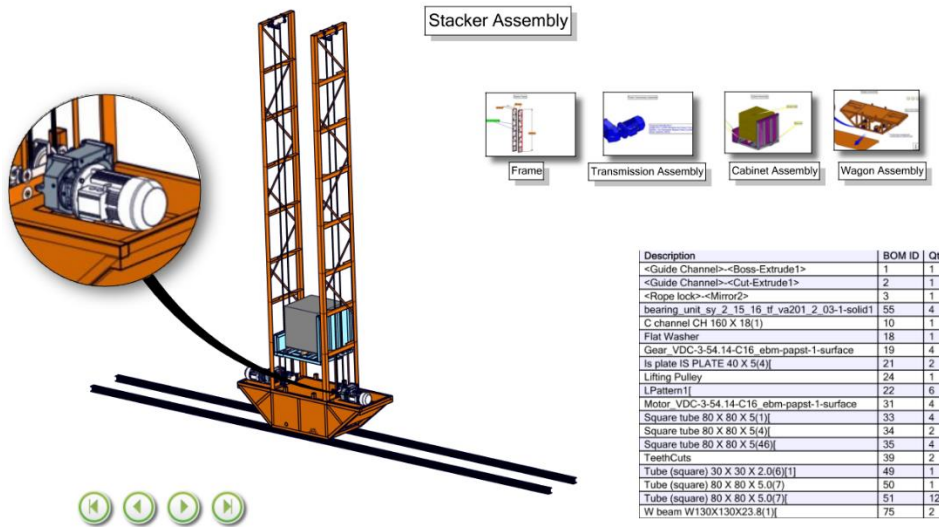
With SOLIDWORKS Composer Check, you can identify costly design errors by examining clearances and planning production paths before the products hit the shop floor, giving you instant validation for assembly procedures after a design change.



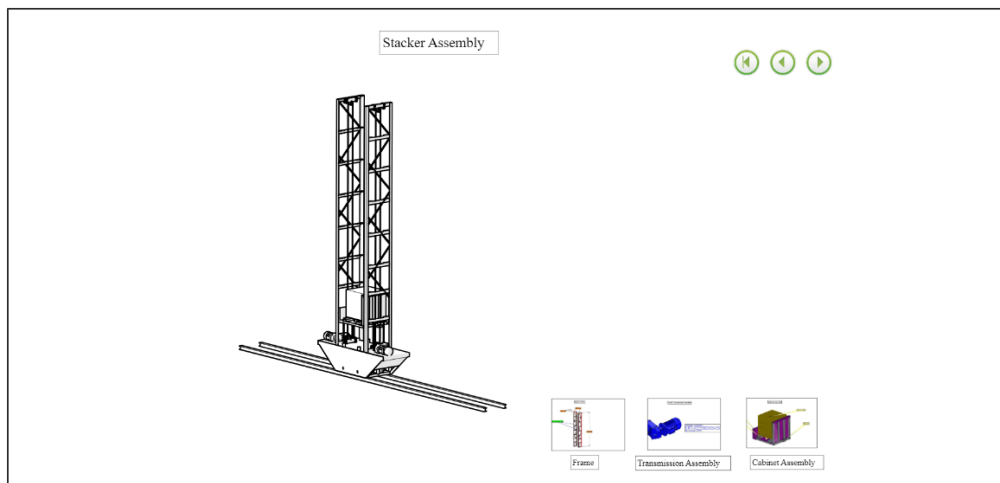
Key Benefits of using SOLIDWORKS Composer software:

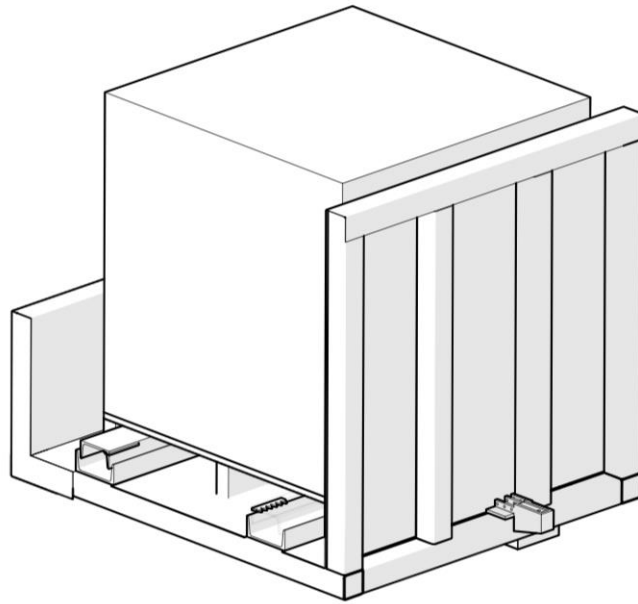
With SOLIDWORKS Composer, businesses can create that engaging & interactive documentation digitally, allowing users to interact with 3D models and explore complex instructions through step-by-step procedures.

- 1. Interactive Content:** Composer has functionality to add buttons and interactive content between static Views, external files, and markers within animations. The interactive content allows for easy navigation through content for assembly or maintenance instructions. The interactivity also allows animations to pause and the user to repeat selected sections.

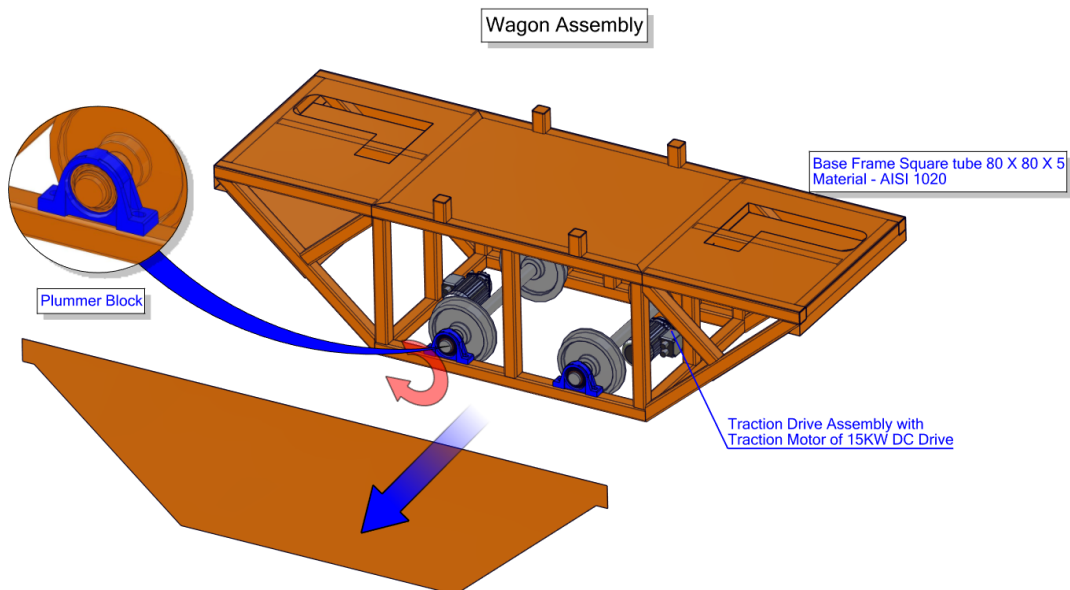


- 2. Technical Illustration:** The Technical Illustration workshop lets you create and publish vectorized images of your scene. To display this workshop, click Workshops > Publishing > Technical Illustration >. Vector graphics images portray images using shapes such as lines, polygons, and text.





3. Assembly Instructions & Maintenance Instructions: SOLIDWORKS Composer is a great tool to leverage your CAD models to create owner’s manuals and assembly instructions for your customers. With SOLIDWORKS Composer, assembly instructions or maintenance procedures can be generated in a snap either as static images or even animated interactive content. This interactive content can guide the employee through each step of the assembly process or maintenance task with a simple click.



- 4. User Manuals & Technical Documentation:** SOLIDWORKS Composer enables you to easily re-purpose existing 3D design data to rapidly create and update high-quality graphical assets that are fully associated with your 3D design. Create technical documentation in parallel with product development, simplifying their process, and accelerating time-to-market.



Composer Benefits:

- Deliver products more quickly to market.
- Quickly and easily incorporate changes into their documentation images.
- Reduce product documentation costs.
- Improve manufacturing yield rates with 3D interactive assembly instructions.
- Provide more comprehensive training materials by leveraging 3D information.
- Improve customer service through the delivery of crystal-clear interactive documentation.
- Produce product documentation content in parallel with the design of the product.
- Reuse 3D product data in departments such as sales, marketing, customer service, training, support, and manufacturing.
- Increase the value of 3D information while ensuring the creation of accurate, always current deliverables.

To know more details, please reach out to us at:

Phone: +91 7406663589

Email ID: info@beacon-india.com

Website: <http://beacon-india.com>

Request a Quote Now: <https://www.beacon-india.com/request-a-quote>

Request a Demo Now: <https://www.beacon-india.com/request-a-demo>