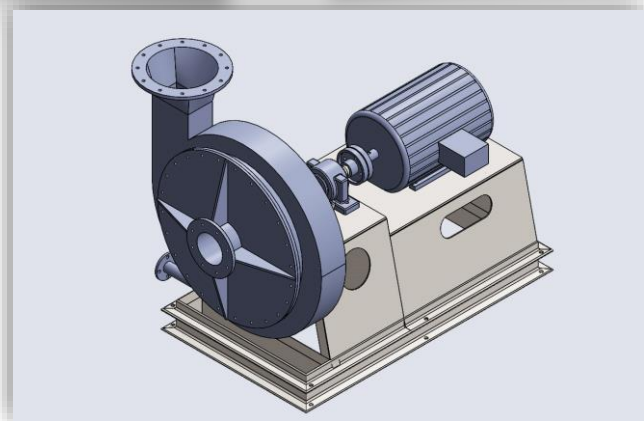


## Bhavi Plast Pvt. Ltd.

# Designing of Scrubber Blower Piping System with SOLIDWORKS Solutions



Bhavi Plast Pvt. Ltd., offers complete wet and dry ventilation and air pollution control equipments and systems. These equipments and systems can be manufactured in Corrosion Resistant Thermoplastics, Fibre Reinforced from various thermosetting, epoxy and phenolic resins, a combination of engineering fluropolymers / FRP or selection of suitable metals as the case may be.



### Challenges:

- ❖ Calculating the impact of pressure in vessels
- ❖ Calculating the stability of structures under applied loading
- ❖ Finding out the pressure drop and volume of flow

### Solutions:

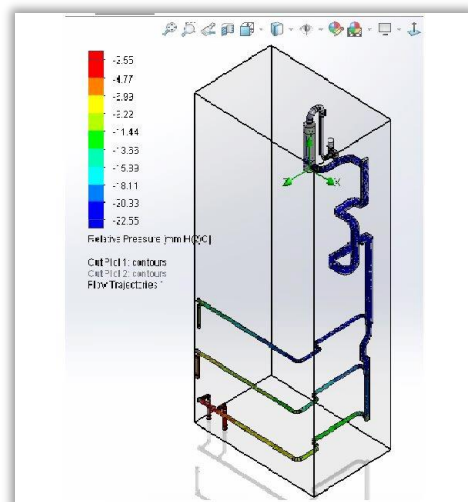
- ❖ SOLIDWORKS Premium,
- ❖ SOLIDWORKS Simulation Premium
- ❖ SOLIDWORKS Flow Simulation

### Benefits:

- ❖ SOLIDWORKS Interface is very User-Friendly and easy to understand.
- ❖ SOLIDWORKS makes the designing much more convenient with its features.
- ❖ Simulation helps to check and analyze the Design before starting the Production.
- ❖ Simulation helps in calculating various aspects which helps in making necessary changes in design.

### Results:

- ❖ Reduced 70% in Design Cycles by using SOLIDWORKS.
- ❖ Accelerated Time-to-Market by 60%.
- ❖ 60% Reduction in Development Costs.
- ❖ 60% Reduction in Prototyping Costs by using Simulation.
- ❖ 50% Reduction in Scrap/Rework Costs.
- ❖ Reduced 80% in number of Design Errors.
- ❖ 60% Benefit in Product Development Processes, such as Purchasing, Estimating, Marketing, or Documentation.
- ❖ 80% Projects completed within given deadline.



"SOLIDWORKS Solutions helped us with the amazing analyzing tool Simulation which solved many of our calculations to create better designs. With SOLIDWORKS we created complex designs with reduced errors in given deadline. Simulation allowed us to save on costly prototype. BEACON provided us with great support in implementing SOLIDWORKS Solutions in our organization."

- Mr. Sayed Sabir, Sr. Design Engineer, Bhavi Plast Pvt. Ltd.

### Bhavi Plast Pvt. Ltd.

Address: 603, Dev Corpora, Cadbury Junction,  
Khopat, Thane (W), Mumbai - 400601,  
Maharashtra, India.

Phone: +91 22 2536 6002

Website: www.bhaviplast.com

### VAR: Best Engineering Aids & Consultancies Pvt. Ltd.

Address: 801, 8th Floor, Lodha Supremus, I Think Techno Campus,  
Kanjurmarg (East), Mumbai,  
Maharashtra - 400042, India

Phone: +91 22 6861 0821

Website: www.beacon-india.com